

## The ASEPCO Radial-Diaphragm™ Zero Dead Leg Valve



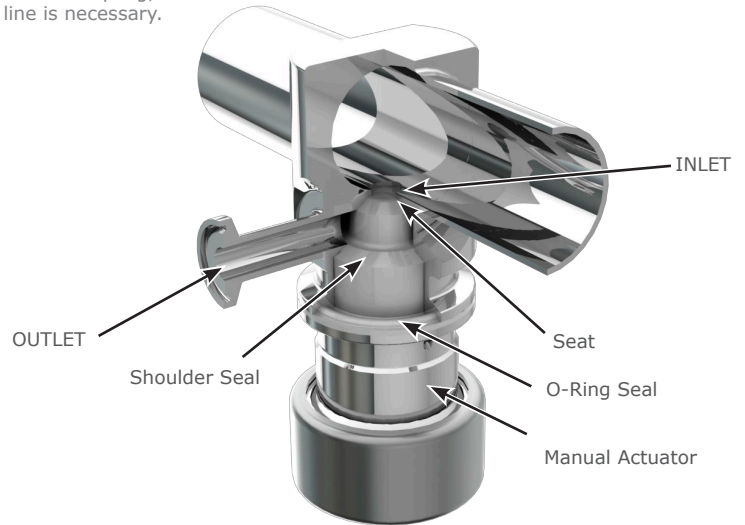
### Designed for Critical Aseptic Processing Applications

ASEPCO radial-diaphragm valves are specifically designed for applications where leakage, dead legs, or cross-contamination are unacceptable. ASEPCO valves provide added security in all high-purity processing.

The ASEPCO Zero Dead Leg Valve is used in situations where sampling, draining, transferring, or diverting process fluid from a line is necessary.

### Features

- Radial-diaphragm
- Flush mount design
- Drains completely in three mounting positions including upside down
- Can be CIP/SIP to eliminate caking
- Fits into tight piping areas
- Simple clamp assembly
- Change diaphragms in seconds
- Integral travel stops



### Specifications

#### Valves

Material	316L, AL6XN, Hastelloy, Alloy C-22 and C276 Machined from solid, hot-rolled, bar stock
Surface Finish	Max 20 micro-inch Ra (0.5 µm Ra), Electropolished Max 15 micro-inch Ra (0.375 µm Ra), Electropolished Max 10 micro-inch Ra (0.25 µm Ra), Electropolished
Sizes	0.5 inch, 1 inch, 1.5 inch, 2 inches, 3 inches, 4 inches
Outlet Connections	End: Sanitary flange and butt weld; Optional Port: Per customer specification
Maximum Pressure	250 psi
Maximum Temperature	135°C/275°F
Marking	Each valve is serialized and marked for full material traceability
ISO	All product and procedures are governed by our ISO Quality Assurance Program
Standards	BPE, CE-PED, ASME

#### Actuators

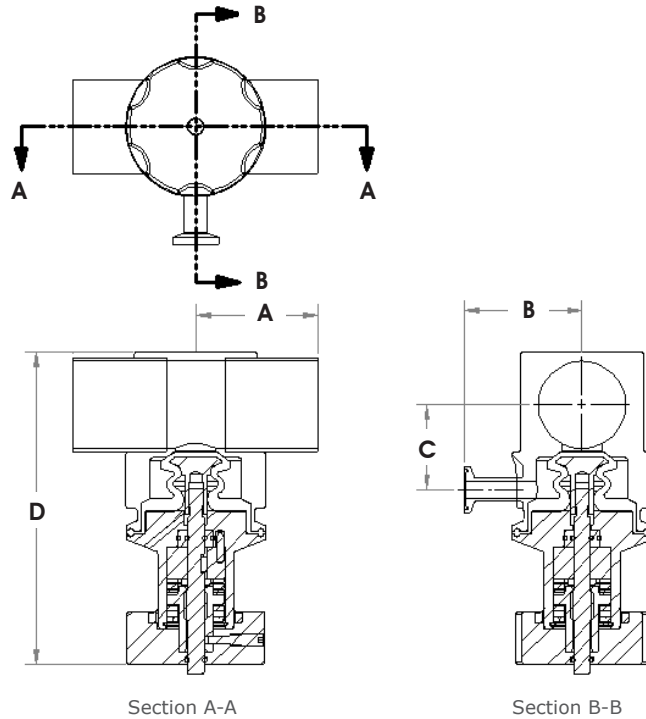
Types	Manual or compact pneumatic Fail open or closed
Material	304 stainless steel housing; can be made in 316L
Sizes	0.5 inch through 4 inches
Operating Air Pressure	100psi max for Pneumatic Actuators
Seals	Teflon bushings and o-rings
Fitting	1/8-inch NPT air connection (for pneumatic)
Possible Instrumentation	Switched With or without solenoids With or without DeviceNet cards

#### Diaphragms

Materials	Silicone	Silicone Plus	EPDM	EPDM Plus	Viton
Temperature Range	-60 to 275°F	-60 to 275°F	-30 to 275°F	-30 to 275°F	-4 to 400°F
Class	USP Class VI, 21 CFR 177.2600	USP Class VI, 21 CFR 177.2600	USP Class VI, 21 CFR 177.2600	USP Class VI, 21 CFR 177.2600	USP Class VI, 21 CFR 177.2600
Parylene Treatment	-	√	-	√	-

Please contact our Customer Service Department for any non-standard valve requirement (800) 882-3886.

# Zero Dead Leg Valve Dimensions, Flow Rates, and Weights Specifications



## KWXX-100-X Zero Dead Leg Valve Dimensions

Line Size* inches	A	B	C	D - with Manual Actuator	D- with Pneumatic Actuator
0.50	1.86 (47.2)	2.07 (52.5)	0.53 (13.5)	4.21 (106.9)	5.03 (127.8)
0.75	1.99 (50.4)	1.96 (49.8)	0.78 (19.8)	4.71 (119.6)	5.53 (140.5)
1.00	4.40 (111.8)	2.53 (64.3)	1.06 (26.9)	5.76 (146.3)	7.38 (187.5)
1.50	3.35 (85.1)	2.53 (64.3)	2.06 (52.3)	6.18 (157.0)	8.12 (206.2)
2.00	4.23 (107.4)	3.25 (82.6)	2.065 (52.5)	6.74 (171.2)	8.37 (212.6)
3.00	4.23 (107.4)	2.53 (64.3)	2.065 (52.5)	7.683 (195.1)	9.31 (236.5)

Dimensions are in inches (mm).

\* - note for Inlet sizes 1" and below the outlet is 1/2". For Inlet sizes 1.5" and larger the outlet is 1". For other configurations call Asepco.

## Zero Dead Leg Valve Flow Rates

Size inches	Cv at 1 psi (0.07 bar) GPM (LPM)
<b>0.50</b>	2.7 (10.2)
<b>1.00</b>	15.8 (59.8)

## Weights

Size inches	Valve Body lb (Kg)	Total Weight with Manual Actuator lb (Kg)	Total Weight with Pneumatic Actuator lb (Kg)
0.50	1.00 (0.45)	3.05 (1.39)	2.75 (1.25)
0.75	1.40 (0.64)	3.45 (1.57)	3.15 (1.43)
1.00	1.50 (0.68)	5.70 (2.59)	6.55 (2.98)
1.50	2.20 (1.00)	8.75 (3.98)	10.55 (4.80)
2.00	3.50 (1.59)	10.05 (4.57)	11.85 (5.39)
3.00	6.00 (2.73)	13.00 (5.91)	29.75 (13.52)