

ASEPCO Actuators for Weirless Radial diaphragm™ valves (180°)



Designed for fast and easy maintenance

When we designed our actuators, we took great care in making them industry appropriate, operator friendly, and rugged enough to withstand some pretty rough treatment. If you can fasten a tri-clamp, you can easily assemble and disassemble any ASEPCO valve for inspection or maintenance, and you can do it without tools!

Features

Requires little maintenance – typically on a yearly basis

EPDM bushings and O-rings, but very few of them

All actuators meet 3A requirements

Actuator options

The specific options for an actuator not only depends on the type, but also depends on the size.

Please contact ASEPCO to find out the specific options for any particular actuator.

Manual

- ▲ Colored handles

Pneumatic

- ▲ Switches
- ▲ Solenoids
- ▲ Regulators
- ▲ Dual-acting positioners
- ▲ Pneumatic piping



For 180° Weirless Radial diaphragm valves:

- ASEPCO Weirless Radial diaphragm block and bleed valve
- ASEPCO Weirless Radial diaphragm in-line valve
- ASEPCO Weirless Radial diaphragm sterile access valve

Specifications

Materials

Actuator bodies	Solid-bar 304 stainless steel (can be 316L)
Diaphragm shafts	316L stainless steel
Actuator shafts	Nitronic 60 or Gall-Tough® stainless steel
O-rings	EPDM
Seals	EPDM
Bearings	Two sets of stainless steel thrust bearings in nylon cages

Instrumentation

Position indication	Position-indicating shaft provides visual confirmation of valve position
Pneumatic air connection fitting	1/8-inch NPT (autoclavable); lubrication not required

Environment

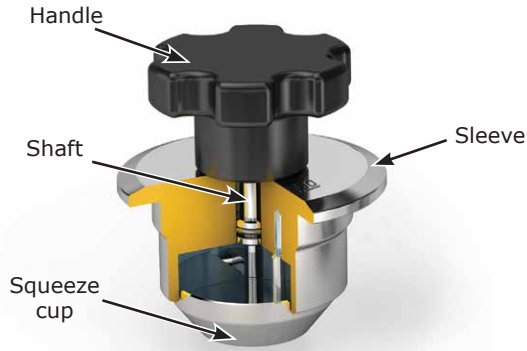
Max pressure	250 psi
Max temperature	135° C (or 275° F)

Quality

Standards	BPE, CE-PED, ASME
ISO	All product and procedures are governed by our ISO Quality Assurance Program

Please contact our Customer Service Department for any non-standard valve requirement (800) 882-3886.

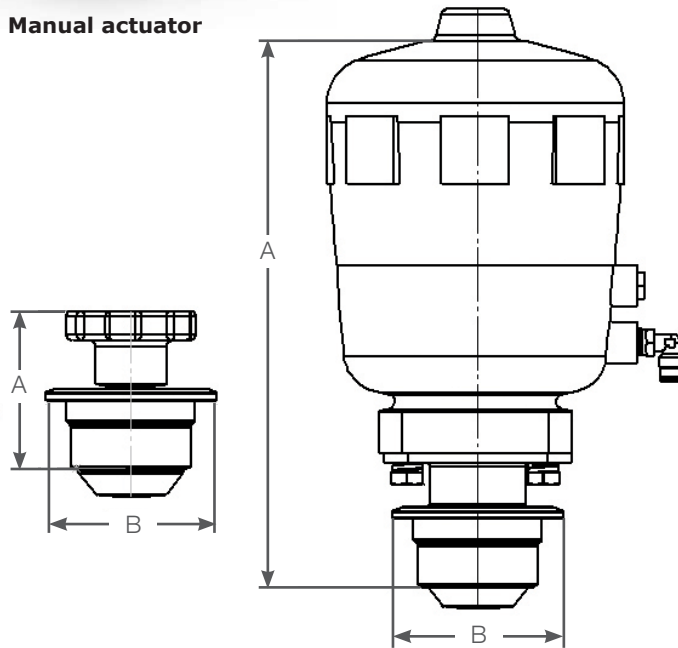
Weirless Radial diaphragm (180°) valve Actuators Dimension & Weight Specifications



Manual actuator



Pneumatic actuator



Manual actuators

Size	A inches (mm)	B inches (mm)	Max Travel inches (mm)	Weight lbs (kg)
0.50	2.3 (58.4)	1.2 (30.5)	0.18 (4.6)	0.50 (0.23)
0.75	2.1 (53.3)	2.0 (50.8)	0.21 (5.3)	0.75 (0.34)
1.00	3.3 (83.8)	2.5 (63.5)	0.28 (7.1)	1.60 (0.73)
1.50	3.3 (83.8)	3.6 (91.4)	0.42 (10.7)	3.05 (1.38)

Pneumatic actuators

Size	A inches (mm)	B inches (mm)	Max Travel inches (mm)	Weight lbs (kg)
0.50	3.5 (88.9)	1.2 (30.5)	0.18 (4.6)	2.30 (1.04)
0.75	6.1 (154.9)	2.0 (50.8)	0.21 (5.3)	2.50 (1.13)
1.00	8.1 (205.7)	2.5 (63.5)	0.28 (7.1)	4.50 (2.04)
1.50	11.5 (292.1)	3.6 (91.4)	0.42 (10.7)	11.70 (5.30)