

The ASEPCO Weirless Radial-Diaphragm™ Sterillite™ Valve



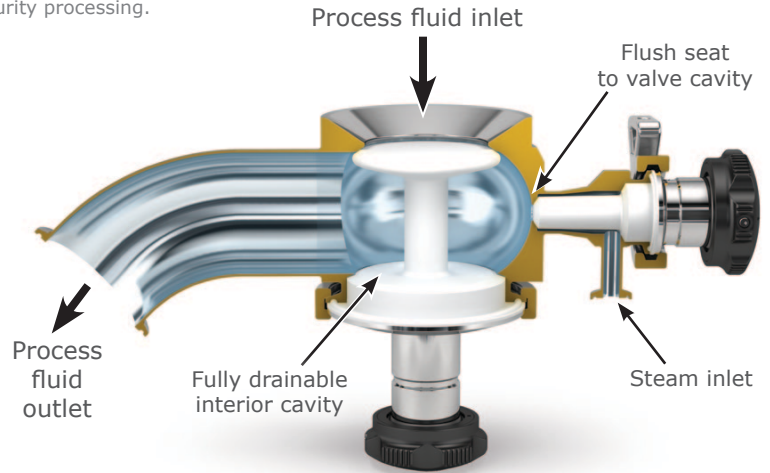
ADVANCED ASEPTIC
PROCESSING EQUIPMENT

Designed for Critical Aseptic Processing Applications

ASEPCO radial-diaphragm valves are specifically designed for applications where leakage, dead legs, or cross-contamination are unacceptable. ASEPCO valves provide added security in all high-purity processing.

Features

- Radial-diaphragm
- Flush mount design
- Self-draining, highly cleanable
- Simple clamp assembly
- Change diaphragms in seconds
- Integral travel stops
- Flush or CIP/SIP while valve is closed
- Satellite valve provides steam inlet
- Satellite valve diaphragm seals flush to ID of Main Valve Body



Specifications

Valves

Material	316L, AL6XN, Hastelloy, Polypropylene Machined from solid, hot-rolled, bar stock
Surface Finish	Max 20 micro-inch Ra (0.5 µm Ra), Electropolished Max 15 micro-inch Ra (0.375 µm Ra), Electropolished Max 10 micro-inch Ra (0.25 µm Ra), Electropolished
Sizes	0.75 inch, 1 inch, 1.5 inch, 2 inches, 2.5 inches, and 3 inches
Outlet Connections	Standard: Sanitary flange or buttweld, (others available)
Steam Valve Inlet Connection	0.5-inch Sanitary flange standard (others available)
Maximum Pressure	[Valve body pressure only] ASME vessels: 250 psi (17 bar), PED vessels: 175 psi (12 bar)
Maximum Temperature	Varies from 135°C/275°F to 260°C/500°F depending on diaphragm material
Marking	Each valve is serialized and marked for full material traceability
ISO	All product and procedures are governed by our ISO Quality Assurance Program
Standards	BPE, CE-PED, ASME

Actuators

Types	Autoclavable Manual or compact normally closed or normally open pneumatic Both actuators feature position and leak indicators and are self contained
Material	304 stainless steel housing, can be made in 316L
Sizes	0.5 inches through 4 inches
Operating Air Pressure	100 psi max for pneumatic actuators
Seals	Teflon bushings and O-rings
Fitting	1/8" NPT air connection (for pneumatic)
Possible Instrumentation	• Switched • With or without solenoids • With or without DeviceNet cards

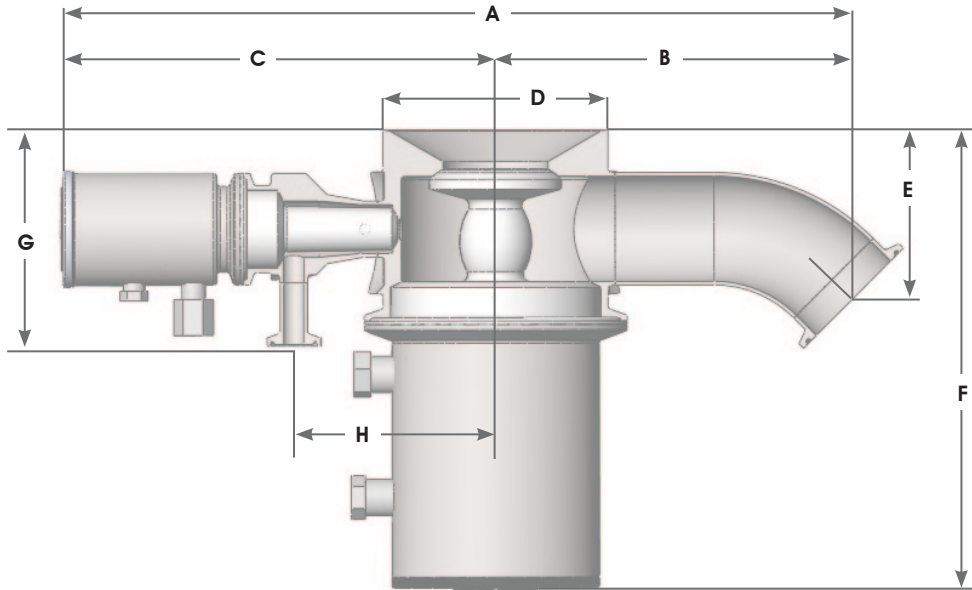
Diaphragms

Materials	Silicone	Silicone Plus	EPDM	EPDM Plus	Viton*	PTFE*
Temperature Range	-60 to 275°F	-60 to 275°F	-30 to 275°F	-30 to 275°F	5 to 400°F	39 to 500°F
Pressure Range	100-150psi	100-150psi	100-150psi	100-150psi	100-150psi	40-60psi
Parylene Treatment	-	√	-	√	-	-
Class	All materials: USP Class VI, 21 CFR 177.2600					

* Not available in all valve sizes

Please contact our Customer Service Department for any non-standard valve requirement (800) 882-3886 or info@asepc.com

Sterillite Valve Dimensions, Flow Rates, and Weights Specifications



TFXX-210-X: Flush-Mounted* Sterillite Valve

Size	A	B	C - with Pneumatic Actuator	C - with Manual Actuator	D	E	F	G	H
inches	in (mm)	in (mm)	in (mm)	in (mm)	in (mm)	in (mm)	in (mm)	in (mm)	in (mm)
0.75	4.44 (113)	2.06 (52)	6.82 (173)	5.81 (148)	2.98 (76)	2.98 (76)	2.98 (76)	3.34 (85)	2.89 (73)
1.00	9.98 (253)	3.78 (96)	8.19 (208)	7.34 (186)	2.98 (76)	2.45 (62)	5.25 (133)	3.34 (85)	2.89 (73)
1.50	11.71 (297)	5.19 (132)	7.26 (184)	6.53 (166)	2.98 (76)	2.53 (64)	5.75 (146)	3.59 (91)	3.17 (81)
2.00	13.33 (339)	6.43 (163)	10.66 (271)	8.34 (212)	4.00 (102)	3.75 (95)	7.30 (185)	3.84 (98)	3.59 (91)
2.50	7.89 (200)	7.54 (192)	10.66 (271)	8.34 (212)	4.91 (125)	4.91 (125)	4.91 (125)	4.34 (110)	4.38 (111)
3.00	16.92 (430)	9.24 (235)	15.00 (381)	11.17 (284)	4.91 (125)	5.22 (133)	8.34 (212)	4.34 (110)	4.38 (111)

*Main Valve Body available in Clamp Inlet upon request

Sterillite Valve Flow Rates

Size	Cv at 1 psi (0.07 bar)
inches	GPM (LPM)
0.75	10.5 (39.7)
1.00	15.8 (59.8)
1.50	47.5 (180)
2.00	72 (272)
2.50	170 (643)
3.00	302 (1143)

Weights

Size	Valve Body	Total Weight with Manual Actuator	Total Weight with Pneumatic Actuator
inches	lb (Kg)	lb (Kg)	lb (Kg)
0.75	3.10 (1.40)	6.75 (3.06)	7.95 (3.61)
1.00	3.00 (1.36)	6.65 (3.02)	7.85 (3.56)
1.50	4.43 (2)	8.08 (3.67)	9.28 (4.21)
2.00	7.60 (3.45)	13.75 (6.24)	15.40 (6.99)
2.50	13.29 (6.03)	19.39 (8.80)	36.04 (16.35)
3.00	13.18 (5.98)	19.28 (8.75)	35.93 (16.30)