

The ASEPCO Weirless Radial-Diaphragm™ Insulate Valve



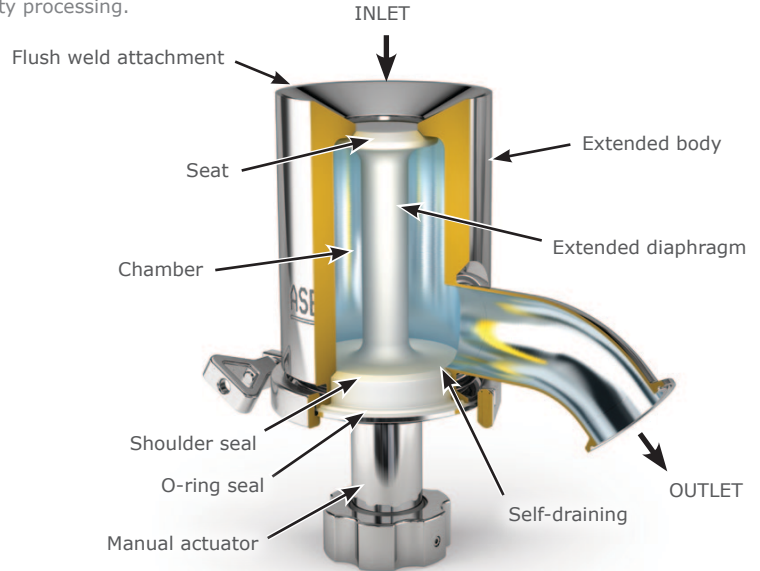
ADVANCED ASEPTIC
PROCESSING EQUIPMENT

Designed for Critical Aseptic Processing Applications

ASEPCO radial-diaphragm valves are specifically designed for applications where leakage, dead legs, or cross-contamination are unacceptable. ASEPCO valves provide added security in all high-purity processing.

Features

- Extended body and diaphragm allows for direct welding of vessel jacket
- Radial-diaphragm
- Flush mount design
- Self-draining, highly cleanable
- Simple clamp assembly
- Change diaphragms in seconds
- Integral travel stops
- Weep hole under diaphragm
- Patented shoulder seal
- Behind the seat flow path
- Multiple ports, locations, and configurations available



Specifications

Valves

Material	316L, AL6XN, Hastelloy Machined from solid, hot-rolled, bar stock
Surface Finish	Max. 20 micro-inch Ra (0.5 µm Ra), electropolished Max. 15 micro-inch Ra (0.375 µm Ra), electropolished Max. 10 micro-inch Ra (0.25 µm Ra), electropolished
Sizes	1.5 inch, 2 inches
Outlet Connections	Standard: Hygienic clamp, tube end, (others available)
Maximum Pressure	[Valve body pressure only] ASME vessels: 250 psi (17 bar), PED vessels: 175 psi (12 bar)
Maximum Temperature	135°C/275°F
Marking	Each valve is serialized and marked for full material traceability
ISO	All product and procedures are governed by our ISO Quality Assurance Program
Standards	BPE, CE-PED, ASME

Actuators

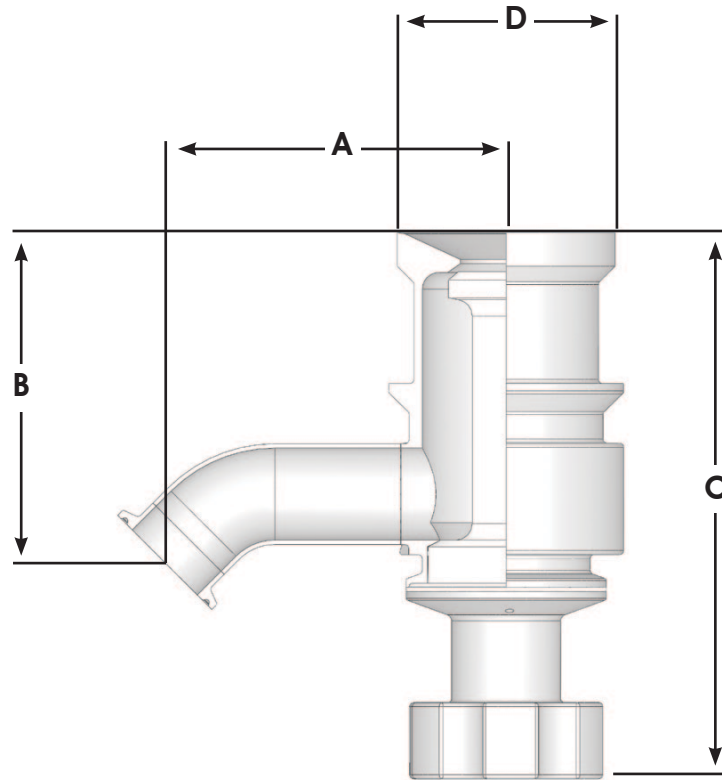
Types	Manual or compact pneumatic Fail open or closed
Material	304 stainless steel housing, can be made in 316L
Sizes	1.5 inch, 2 inches
Operating Air Pressure	100 psi max. for pneumatic actuators
Seals	Teflon bushings and O-rings
Fitting	1/8-inch NPT air connection (for pneumatic)
Possible Instrumentation	• Switched • With or without solenoids • With or without DeviceNet cards

Diaphragms

Materials	Silicone	Silicone Plus	EPDM	EPDM Plus
Temperature Range	-60 to 275°F	-60 to 275°F	-30 to 275°F	-30 to 275°F
Pressure Range	100-150psi	100-150psi	100-150psi	100-150psi
Parylene Treatment	-	√	-	√
Class	All materials: USP Class VI, 21 CFR 177.2600			

Please contact our Customer Service Department for any non-standard valve requirement (800) 882-3886 or info@asepco.com

Insulate Valve Dimensions, Flow Rates, and Weights Specifications



TEXX-100-X: Insulate Valve

Size inches	A in (mm)	B in (mm)	C - with Manual Actuator in (mm)	C - with Pneumatic Actuator in (mm)	D in (mm)
1.50	5.09 (129.3)	4.91 (124.7)	8.14 (206.8)	9.71 (246.6)	3.25 (82.6)
2.00	6.36 (161.5)	6.22 (158.0)	10.58 (268.7)	11.40 (289.6)	4.71 (119.6)

Insulate Valve Flow Rates

Size inches	Cv at 1 psi (0.07 bar) GPM (LPM)
1.50	48 (180)
2.00	72 (272)

Weights

Size inches	Valve Body lb (kg)	Total Weight with Manual Actuator lb (kg)	Total Weight with Pneumatic Actuator lb (kg)
1.50	4.65 (2.1)	11.70 (5.3)	13.5 (6.1)
2.00	15.75 (7.2)	23.10 (10.5)	24.90 (11.3)